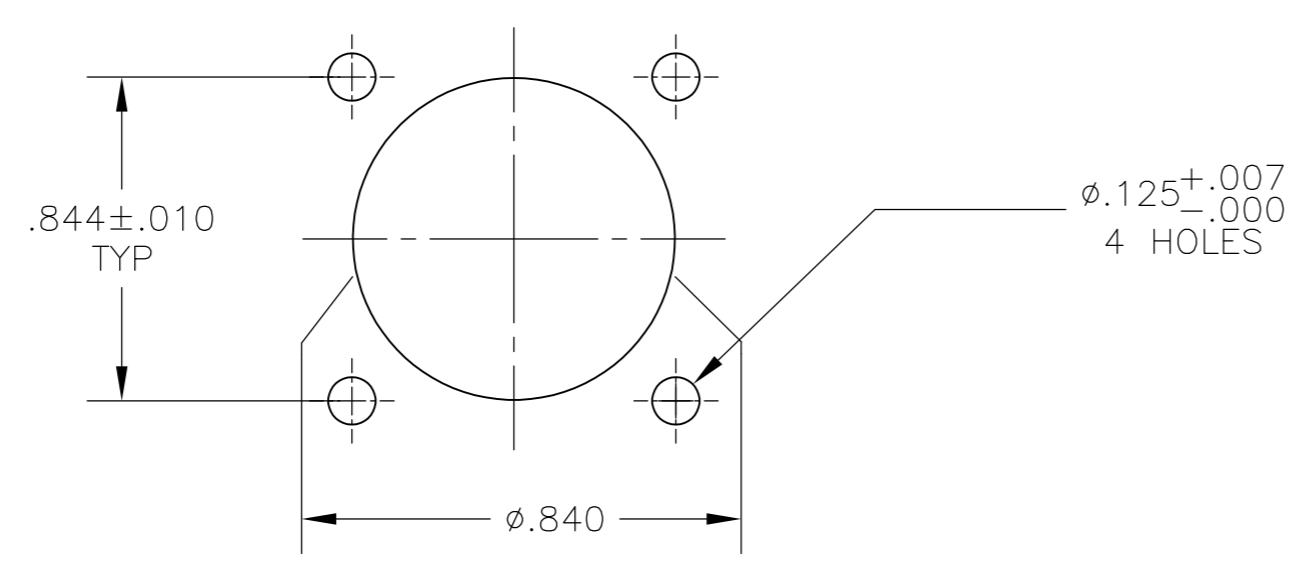
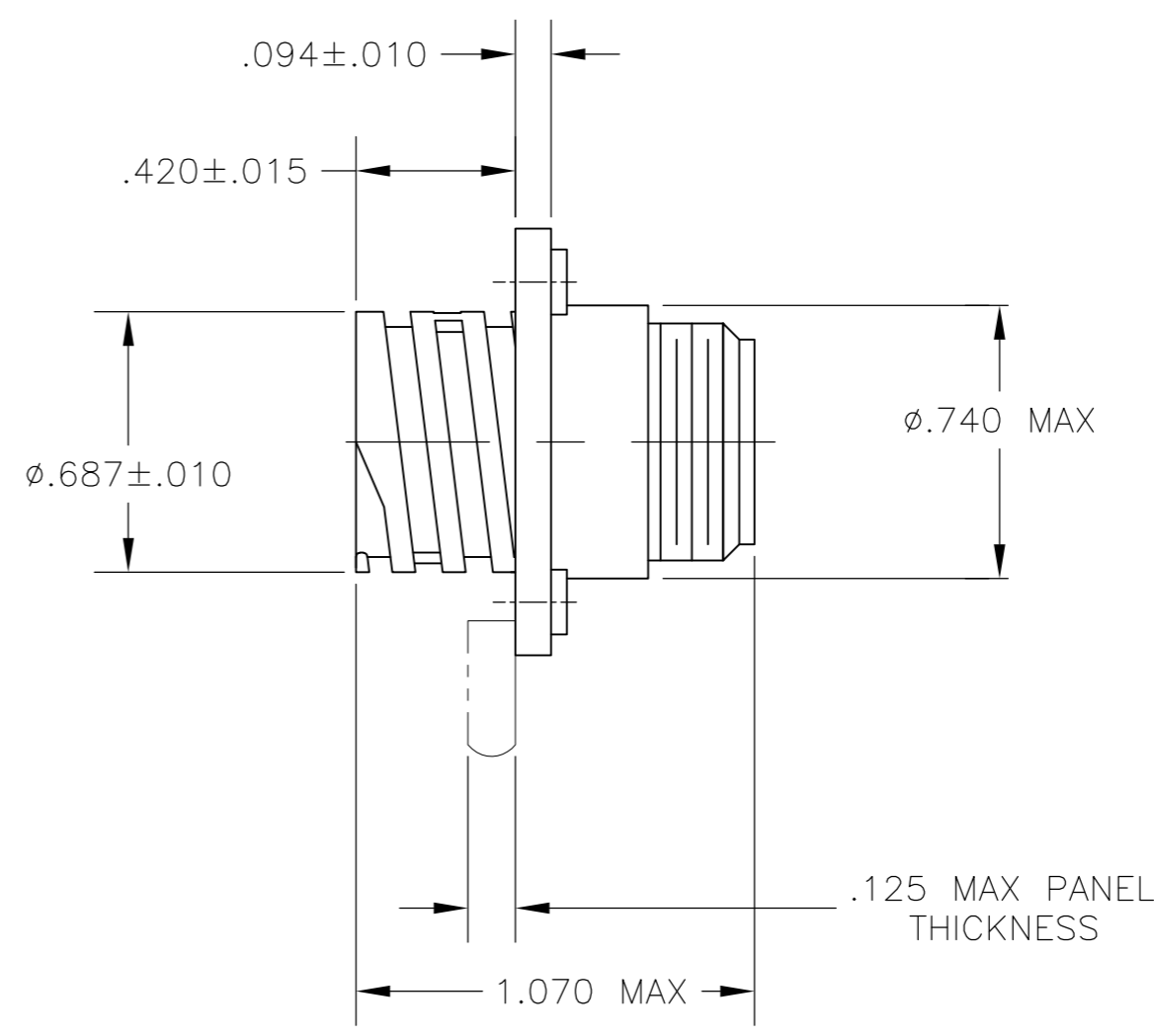
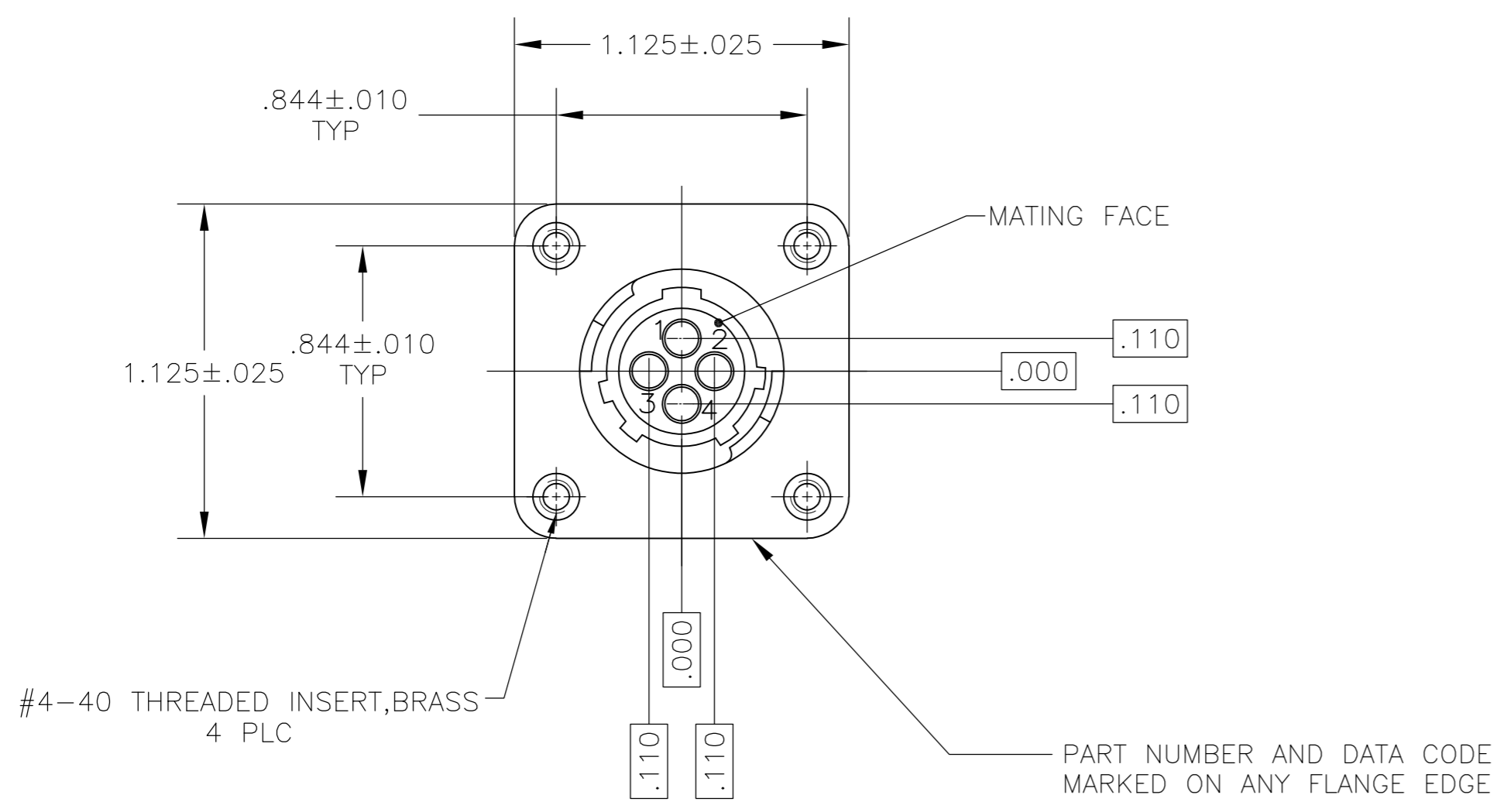


THIS DRAWING IS UNPUBLISHED. RELEASED FOR PUBLICATION  
 © COPYRIGHT - By - ALL RIGHTS RESERVED.

Loc		DIST		REVISIONS			
P	LTR	DESCRIPTION	DATE	DWN	APVD		
BD	39	B	REVISED PER ECO-14-001570	12FEB2014	NK	MZ	



PANEL CUTOUT  
SCALE 4:1

- CONTACT CAVITIES IDENTIFIED BY CHARACTERS ON FRONT AND REAR FACES OF CONNECTOR.
- CONNECTOR WILL ACCEPT FOUR (4) MULTIMATE SOCKET CONTACTS.

211102-1  
PART NUMBER

THIS DRAWING IS A CONTROLLED DOCUMENT.		DWN	S.RIDGLEY BG	8/1/90		TE Connectivity																				
DIMENSIONS: INCHES		CHK	R. STONE	5/2/91		NAME																				
TOLERANCES UNLESS OTHERWISE SPECIFIED:		APVD	K. BEAVER	5/2/91		RECEPTACLE ASSYMBLY W/THREADED INSERTS, SHELL SIZE 11, REVERSE SEX, SERIES 1, CPC																				
<table border="1"> <tr><td>0 PLC</td><td>±</td><td>-</td></tr> <tr><td>1 PLC</td><td>±</td><td>-</td></tr> <tr><td>2 PLC</td><td>±</td><td>-</td></tr> <tr><td>3 PLC</td><td>±</td><td>.005</td></tr> <tr><td>4 PLC</td><td>±</td><td>-</td></tr> <tr><td>ANGLES</td><td>±</td><td>-</td></tr> </table>		0 PLC	±	-		1 PLC	±	-	2 PLC	±	-	3 PLC	±	.005	4 PLC	±	-	ANGLES	±	-	PRODUCT SPEC	-		SIZE	CAGE CODE	DRAWING NO
0 PLC	±	-																								
1 PLC	±	-																								
2 PLC	±	-																								
3 PLC	±	.005																								
4 PLC	±	-																								
ANGLES	±	-																								
MATERIAL	THERMOPLASTIC, BLACK	FINISH	-	WEIGHT	-	A2	00779	C=211102	-																	
CUSTOMER DRAWING					SCALE	2:1	SHEET	1 of 1	REV	B																

# Mouser Electronics

Authorized Distributor

Click to View Pricing, Inventory, Delivery & Lifecycle Information:

[TE Connectivity:](#)

[211102-1](#)